



# VORTEX FLOWMETER

## VF-8100 Series

High Accuracy/Non-contact Flow Sensing in PFA

### Key Features

- Due to no moving parts, the meter has superior reliability and durability and no error in mounting position
- Simple construction (its flow path of fluid contains a columnar object and a vortex detector only) ensure low pressure loss and low liquid leak. In addition, the detector does not get into contact with the fluid running through the path; therefore, it is ideal for process monitoring of various liquids.
- Two types of particle-free body materials (PPS and PFA) are available for choice according to your needs
- Global specification (CE Marking)
- Since PTFE is the material for the entire wetted part and no o-rings is in use, the flowmeter is optimum for monitoring liquid flows in the manufacturing process of semiconductors.

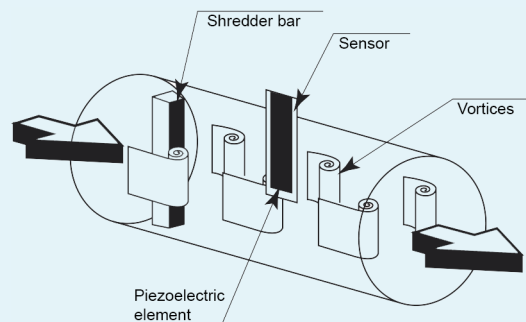


### Description

The VF-8100 consists of an inline flow sensor and electronics in one package. The flow sensor is a straight-through PFA tube that uses ultrasonic sensing technology to measure the flow rate. There are no moving parts or mechanical seals. The VF-8100 is an ideal choice for use in the semiconductor industry where minimal footprint, high purity and corrosion resistant wetted parts are required.

### Operating Principle

What a columnar object (object that generates vortices) is placed in the flow path of a fluid, regular channels of vortices, called Karman vortex channels, are generated at the back of the object. Since the frequency of a vortex generated is linearly proportional to the flow velocity within a given range, the flow amount can be measured by counting the number of vortices. The flowmeter makes use of this principle. When the frequency of each vortex generated is detected by the incorporated vortex detector (piezoelectric device), the signal processing circuit outputs a signal which is linearly proportional to a volume flow.



© 2013 Malema Sensors

**Benefits**

The VF-8100 utilizes the latest digital signal processing (DSP) technology and provides cost effective flow measuring solutions with minimum compromise in performance. Compact integrated (sensors/electronics) package saves space and minimizes cabling facilitating an easier installation.

**Table 1. Performance Specifications**

	VF-8102	VF-8103	VF-8106	VF-8108
Tube Size / End connections	3/8"	1/2"	3/4"	1"
Standard Flow Range *	0.4 to 4 L/min	2 to 20 L/min	5 to 50 L/min	10 to 100 L/min
Accuracy	± 2 % F.S.*			
Repeatability	Within ± 0.5 % F.S.			
Fluids for Measurements	Ultrapure water, chemicals, and other liquids			
Measuring Accuracy	± 3.0 % 1 digit			
Liquid Temperature Range	0 - 90 °C (No bedewing, no boiling)			
Ambient Temperature Range	0 - 50 °C			

**Table 2. Electrical Specification**

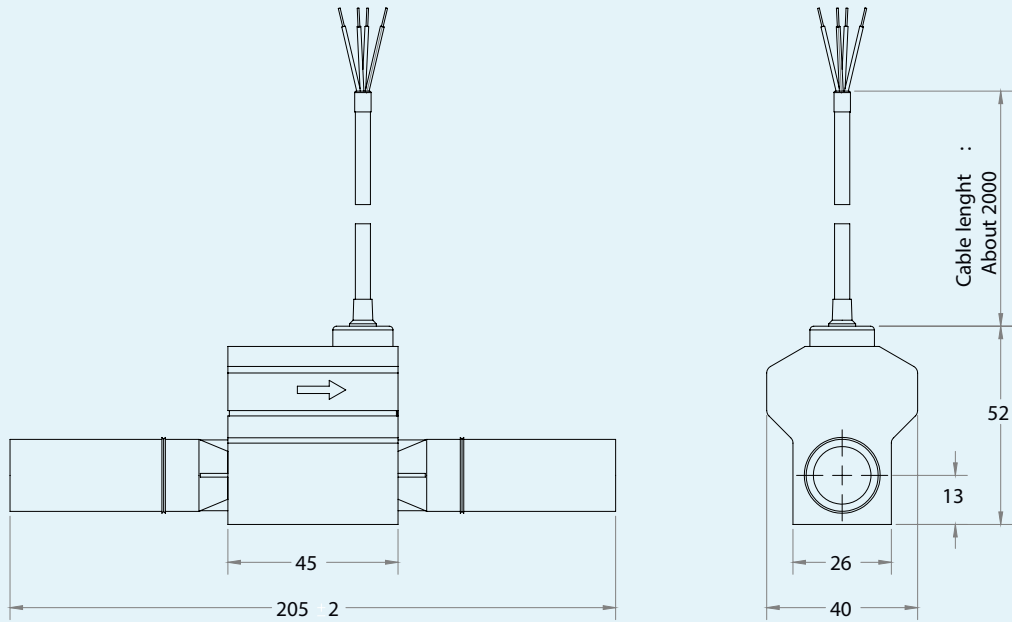
Output Options	With Indicator	LED display in 3 digits
		Current output: 4-20 mA (linear)
		Alarm output: Open collector (2 LEDs; 80mA, 30 Vdc max.)
	Without Indicator	Current output: 4-20 mA (linear)
Alarm output: Open collector (10mA, 30 Vdc max.)		
Supply Voltage	12 - 24 Vdc	

**Table 3. Material Specifications**

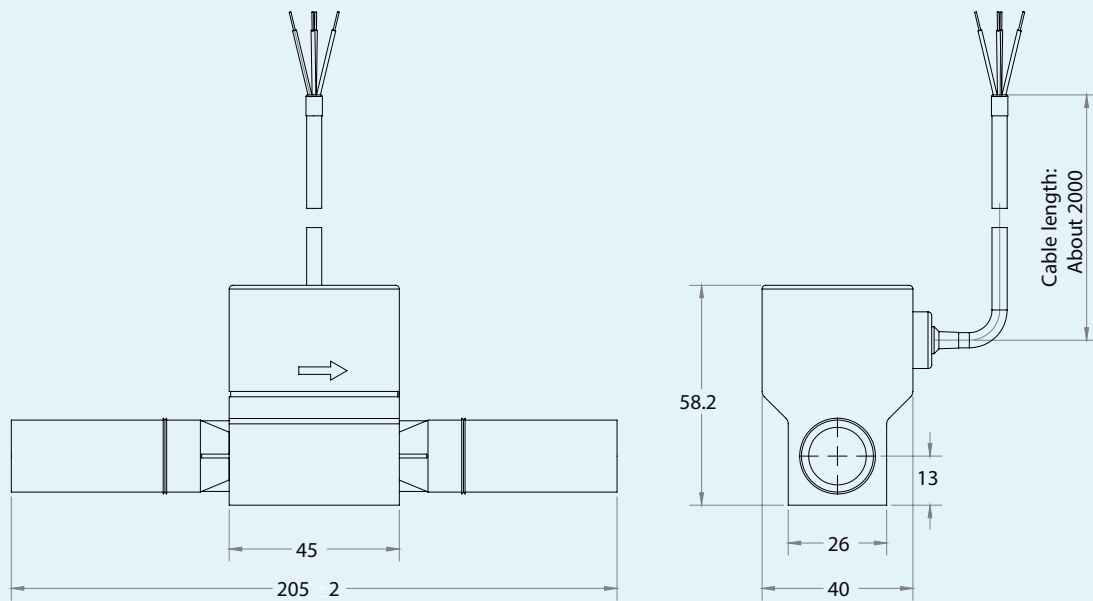
Body	All Teflon (PFA), without o-rings
Cover	Polybutylene terephthalate (PBT) resin
Cable	2 meters long; Conductor: Tinned bare annealed copper wire Sheath: Heat/Cold resistant polyvinyl chloride (POC)

**SENSOR DIMENSIONS**

**Without Display**



**With Display**



## Ordering Information

Model Code								Description
VF-81	-	**	-	**	-	*	-	
	-							
Connection / Scale Range		02						3/8" / 0.4 - 4 LPM
		03						1/2" / 2 - 20 LPM
		06						3/4" / 5 - 50 LPM
		08						1" / 10 - 100 LPM
	-							
Input / output		CX						Current output; DC 4-20mA (No Local Display)
		VX						Voltage output; 1 - 5 Vdc
		PX						Pulse output; Open collector (No Local Display)
		DC						Display + Current output
		DV						Display + Voltage output
	-							
End Connection		1						Tube Ends
		7						Pillar Super 300
		8						Custom Connection
	-							
							XXX	

www.malema.com

**NOTE:** Specifications are subject to change without notice.

© 2013 Malema Sensors

**DOC# VF-8100\_DS\_310490**

Corporate Headquarters  
1060 S Rogers Circle  
Boca Raton, FL 33487

P: (561) 995-0595 F: (561) 995-0622

West Coast Headquarters  
2225 Martin Avenue Suite I  
Santa Clara, CA 95050

P: (408) 970-3419 F: (408) 970-3426

Asia Headquarters  
29 Woodlands Industrial Park E1 Northtech Unit # 02-06  
Singapore 757716

P: (65) 6482-3533 F: (65) 6484-4231