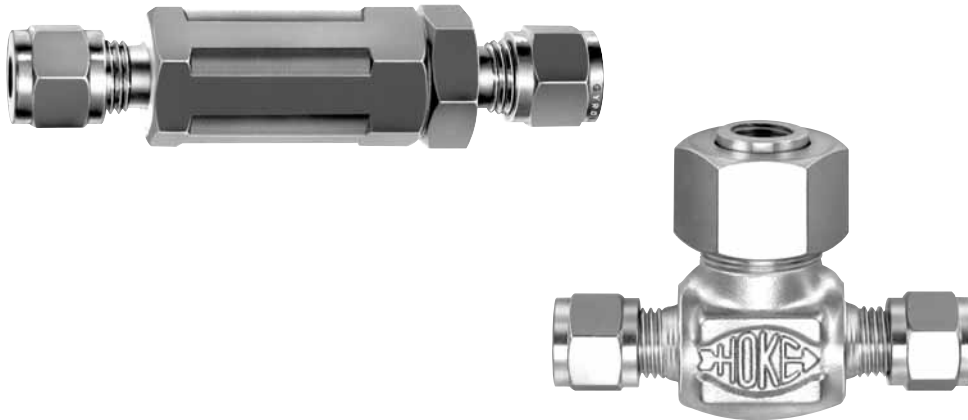




# 6300 Series

Micron Filters



## Features

- Choice of in-line, removable, or bypass filter models
- NPT female and **GYROLOK**<sup>®</sup> tube fitting connections
- Variety of micron filtering ranges from 2 to 55 $\mu$
- Filter elements are available in 316 stainless steel
- Filter elements are easily replaced
- Bypass models permit purging and sampling of process fluid
- Bodies available in brass and 316 stainless steel
- Special High Tolerance NPT Thread

## Applications

- Trap foreign particles
- Protect sensitive equipment
- System purging
- Pressure damper

## Technical Data

<b>Body Material</b>	316 stainless steel, brass
<b>Maximum Operating Pressure</b>	Brass: 3000 psig @ 70° F (211 kg/cm <sup>2</sup> @ 21° C) Stainless steel: 5000 psig @ 70° F (352 kg/cm <sup>2</sup> @ 21° C)
<b>Operating Temperature Range</b>	-60° F to +450° F (-51° C to +232° C)
<b>Micron Range</b>	2 to 55 $\mu$
<b>Cv Factor Range</b>	0.006 to 0.42

### HOKE Inc.

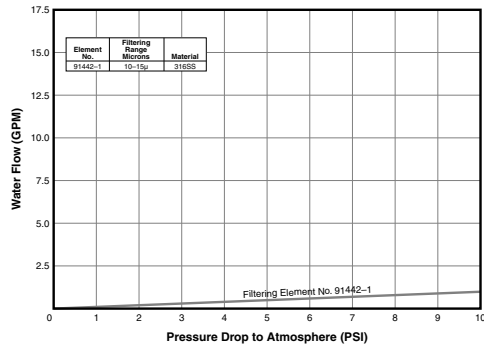
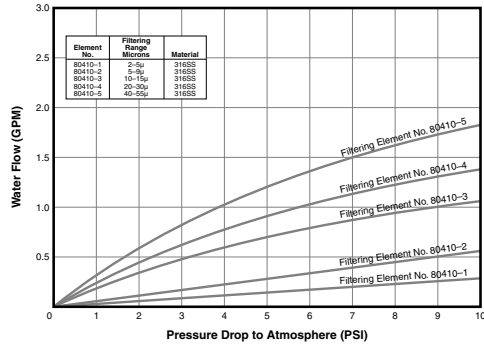
PO Box 4866 • Spartanburg, SC 29305-4866  
Phone (864) 574-7966 Fax (864) 587-5608  
www.hoke.com • Sales-hoke@circor.com

filters

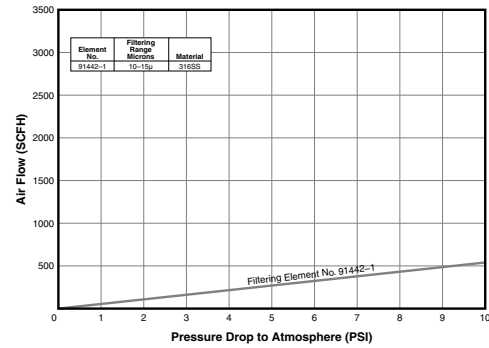
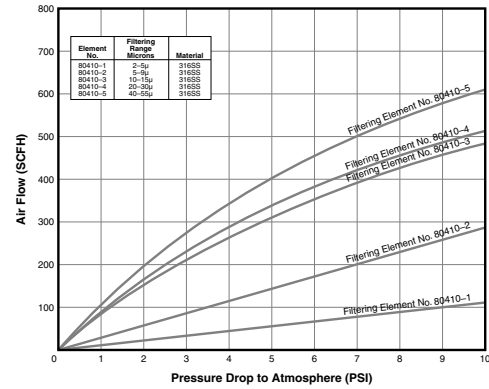
# 6300 Series

## Diagrams & Flow Curves

### Water

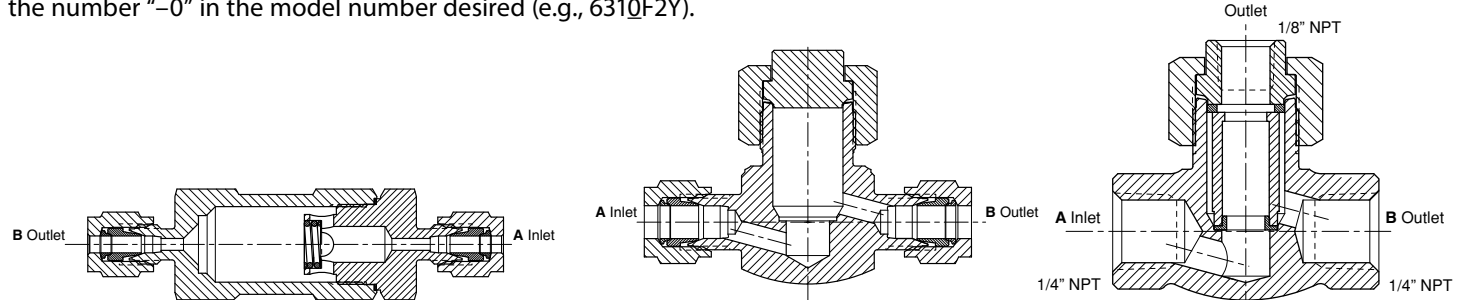


### Air



## How to Order

Select and specify filter by part number, according to desired connections and materials of construction. Be sure to add the identifying digit of the desired filter element to the filter part number from the chart below. To order a 316 stainless steel in-line type, 1/8" NPT female filter with an element range of 5 to 9μ, add "-2" (e.g., 6312F2Y). To order a filter without a filter element, insert the number "-0" in the model number desired (e.g., 6310F2Y).



### 6310 Series: In-line Filters

A & B Connections	Brass	316 Stainless Steel
1/8" NPT female	631xF2B	631xF2Y
1/4" NPT female	631xF4B	631xF4Y
1/8" GYROLOK®	—	631xG2Y
1/4" GYROLOK®	631xG4B	631xG4Y

### 6320 Series: Removable Filters

A & B Connections	Brass	316 Stainless Steel
1/8" GYROLOK®	632xG2B	632xG2Y
1/4" NPT female	632xF4B	632xF4Y
1/4" GYROLOK®	632xG4B	632xG4Y
6mm GYROLOK®	—	632xG6YMM

### 6330 Series: Bypass Filters

A & B Connections	316 Stainless Steel
1/4" NPT female	633xF4Y
1/8" GYROLOK®	633xG2Y
1/4" GYROLOK®	633xG4Y

### 316 Stainless Steel Elements

Micron Range	For 1/8" & 1/4" Size Housings	For 3/8" & 1/2" Size Housings	Identifying Digit	Cv Factor
2 to 5μ	80410-1 80409-1*	—	-1	0.006
5 to 9μ	80410-2 80409-2*	—	-2	0.055
10 to 15μ	80410-3 80409-3*	91442-1	-3	0.33
20 to 30μ	80410-4 80409-4*	—	-4	0.39
40 to 55μ	80410-5 80409-5*	—	-5	0.42
0.5μ	80410-6	—	-6	—
100μ	80410-7	—	-7	—