



6800 Series

Gauge Valves



Features

- Corrosion-resistant bar stock 316 stainless steel bodies
- Packing below stem threads prevents contamination and wash away of thread lubricants to assure long valve life
- Hardened 17-4 PH 2-piece, non-rotating stem point minimizes seat galling and provides an excellent metal-to-metal seat for positive shutoff
- Low profile bonnet assembly and large diameter stem reduces damage to bonnet and stem assembly
- Roll pin locks bonnet in the valve body to prevent accidental removal
- Choice of 5 $\frac{3}{8}$ " long body for standard process use or 7 $\frac{3}{8}$ " body for insulated piping applications
- Three outlets meet individual gauge requirements
- Polyethylene cap protects stem and bonnet from external damage
- Rugged large handle provides easy grip and control
- All models are stamped with maximum operating pressures on valve body
- High temperature packing is available on special order
- Special High Tolerance NPT Thread

Technical Data

| | |
|------------------------------------|---|
| Body Material | 316 stainless steel |
| Maximum Operating Pressure | • 6000 psig @ -65° to +200° F (414 bar @ -54° C to +93° C) • 3000 psig @ +450° F (207 bar @ +232° C) |
| Operating Temperature Range | -65° F to +450° F (-54° C to +232° C) |
| Orifice Sizes | 6801L8Y: 0.156" (3.96mm) All others: 0.187" (4.75mm) |

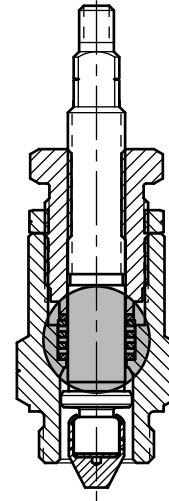
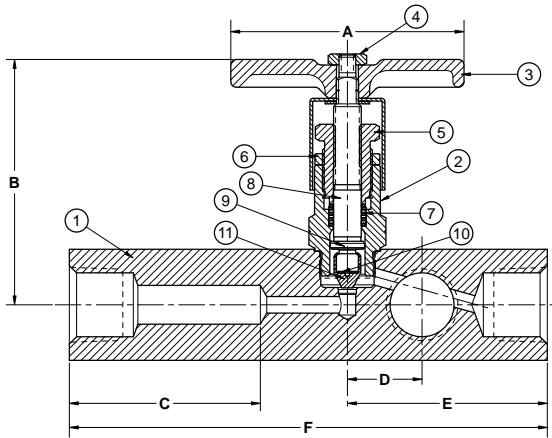
gauge valves

HOKE Inc.

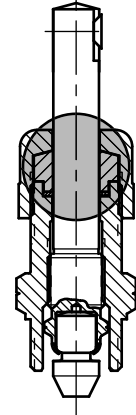
PO Box 4866 • Spartanburg, SC 29305-4866
Phone (864) 574-7966 Fax (864) 587-5608
www.hoke.com • Sales-hoke@circor.com

6800 Series

Materials of Construction



Dyna-Pak® Packing



TFE Packing
(6801L8Y only)

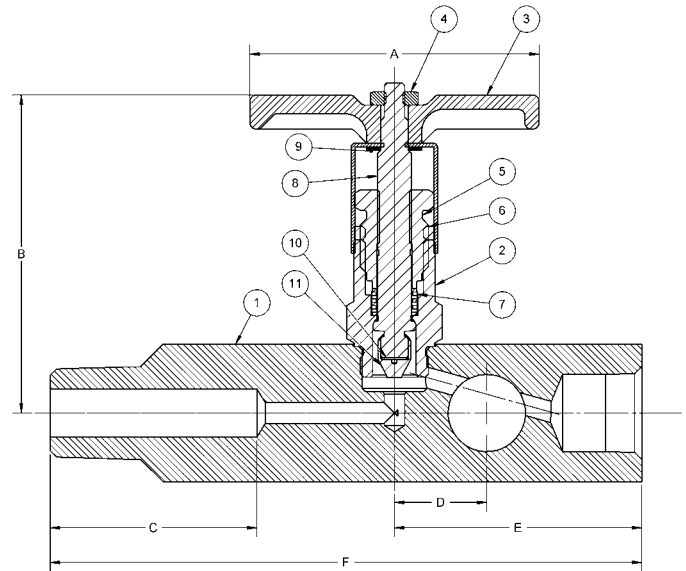
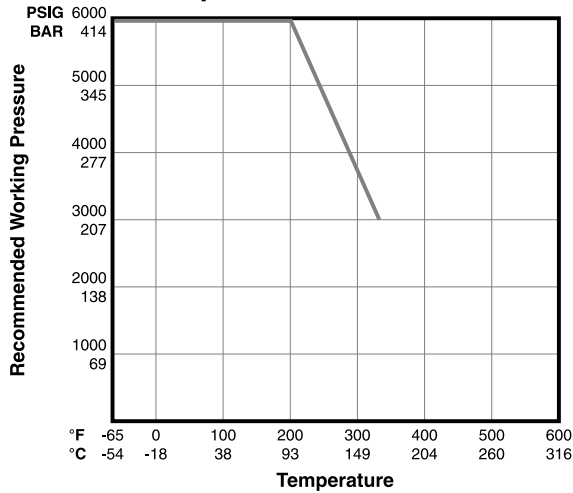
| Part | 316 Stainless Steel Models | |
|------|----------------------------|-------------------------|
| 1 | Body | 316 stainless steel |
| 2 | Housing | 316 stainless steel |
| 3 | Handle | 303 stainless steel |
| 4 | Hex nut | 18-8 stainless steel |
| 5 | Packing nut | XM-28 stainless steel |
| 6 | Lock nut | 316 stainless steel |
| 7 | Packing* | Dyna-Pak® |
| 8 | Stem | 316 stainless steel |
| 9 | Washer | 316 stainless steel |
| 10 | Disc | 17-7 PH stainless steel |
| 11 | Stem point | 17-4 PH stainless steel |

* Model 6801L8Y uses a single-piece molded PTFE packing system.

Dimensions

| Model Number | A | B | C | D | E | F |
|--------------|------|----|----|-----|----|-----|
| 6801L8Y | inch | 1¼ | 2½ | 1 | ¾ | ¾ |
| | mm | 32 | 64 | 25 | 14 | 44 |
| 6802L8Y | inch | 2½ | 3 | 2½ | 2½ | 5½ |
| | mm | 67 | 75 | 55 | 21 | 57 |
| 6803L128Y | inch | 2½ | 3 | 2½ | 2½ | 5½ |
| | mm | 67 | 75 | 55 | 21 | 57 |
| 6805L128Y | inch | 2½ | 3 | 4½ | 2½ | 7½ |
| | mm | 67 | 75 | 106 | 21 | 188 |

Pressure vs. Temperature



How to Order: Standard Valves

| Connections | | Order by Part Number | Body Length | |
|---------------|--------------------|----------------------|-------------|-----|
| Inlet | Outlet | | Inch | mm |
| ½" NPT male | ½" NPT female | 6801L8Y* | ¾ | 83 |
| ½" NPT male | ½" NPT female (3x) | 6802L8Y | 5½ | 136 |
| ½" NPT female | ½" NPT female (3x) | 6802F8Y | 5½ | 136 |
| ¾" NPT male | ½" NPT female (3x) | 6803L128Y | 5½ | 136 |
| ¾" NPT male | ½" NPT female (3x) | 6805L128Y | 7½ | 188 |

* Furnished with bleed plug drilled in body
Model 6801L8Y uses a single-piece molded PTFE packing system

Dyna-Pak® is a registered trademark of HOKE Incorporated.