

The dual coil coolers are designed for cooling (or heating) fluid samples. Assembled of tubing and Gyrolok flareless fitting (no welds).

**Design Data:**

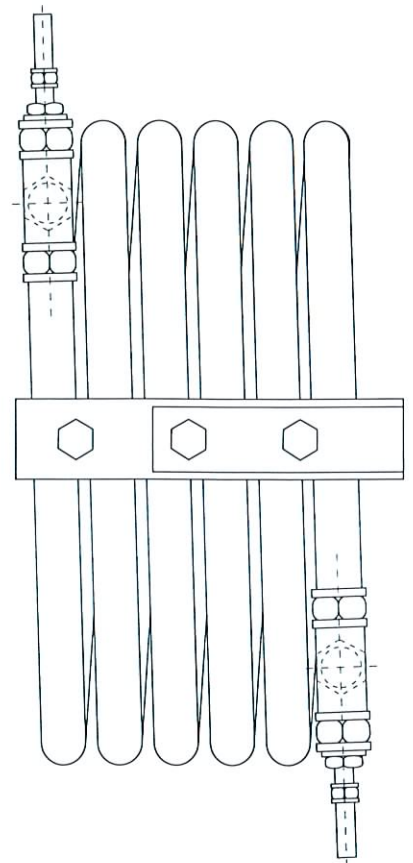
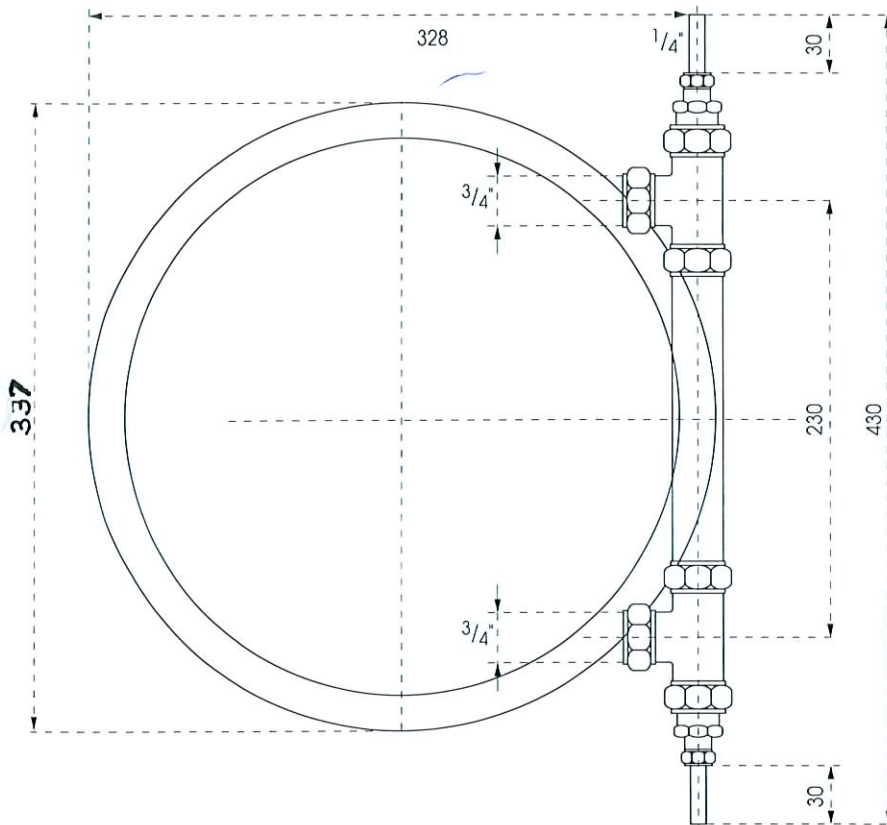
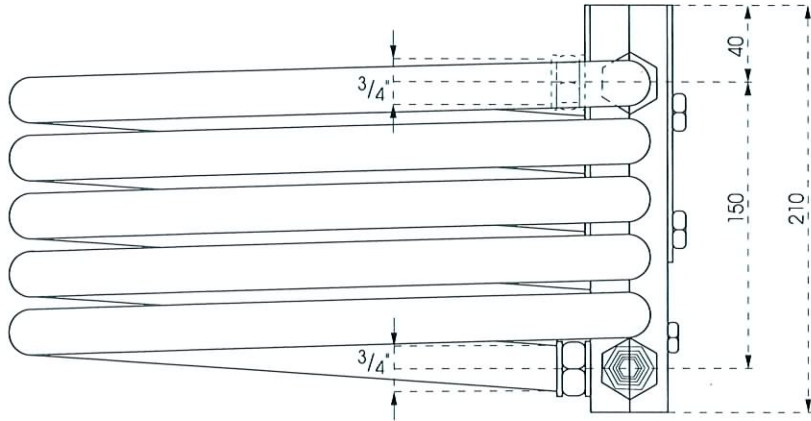
Material: SS 316  
 Sample coil: 1/4" OD x 0.049" wall  
 Cooling coil: 3/4" OD x 0.065" wal  
 Cooling surface: approx. 900 cm<sup>2</sup>

**Sample Coil (1/4" OD)**

Pressure: max. 400 bar at 20° C  
 max. 300 bar at 400° C  
 Temperature: max. 400° C  
 Capacity: max. 1.5 liter/min.  
 Connection: 1/4" OD tube end

**Cooling Coil (3/4" OD)**

Pressure: max. 200 bar  
 Capacity: max. 15 liter/min. cooling water  
 Connection: 3/4" OD Gyrolok



**ingenieursburo  
 gommer bv**

Parkweg 11 2271 AD Voorburg Holland  
 Telefoon 070-3868286 Fax 070-3864540

**Dual Coil Cooler**

Number: M 80.00.00

Date: January 1994