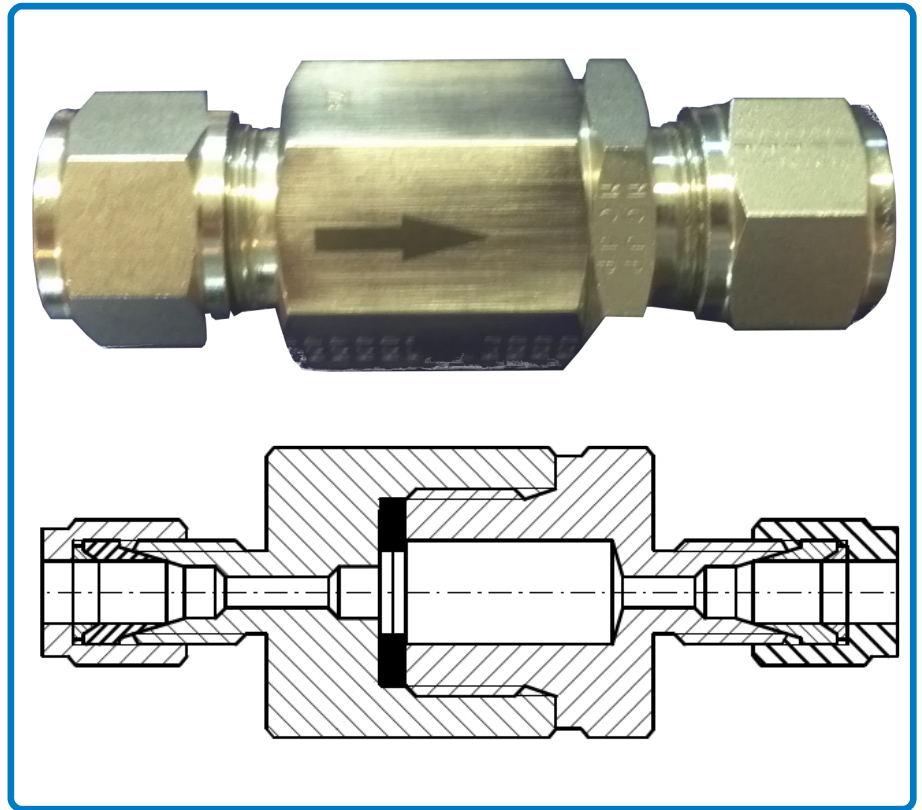


Gyrolok Bursting Disc Assembly

Integrated design



Description

A bursting disc is a one-time pressure relief device. It is designed for a predictable disruption at defined bursting pressure. The Gyrolok Bursting disc Assembly is available in two disc sizes with a variety of connections and materials. The Gyrolok end connections provide an outstanding leak-tight integrity in a wide range of applications.

Connections (standard SS316L)

Size 1/4"

1/8", 1/4", 3/8" en 1/2" Gyrolok

6, 8 en 10mm Gyrolok

Other sizes and threads on request

Size 1/2"

1/4", 3/8" en 1/2" Gyrolok

6, 8, 10 en 12mm Gyrolok

Other sizes and threads on request

Options

- Oxygen cleaned
- Material certificate
- TÜV certificate
- Tag plate
- NACE MR01/75

Ranges (barg)

Stainless steel

Size	min. barg	max. barg
1/4"	40	700
1/2"	16	296

Nickel

Size	min. barg	max. barg
1/4"	10	700
1/2"	5	296

Hastelloy, Inconel, Monel

Size	min. barg	max. barg
1/4"	40	700
1/2"	20	296

Titanium

Size	min. barg	max. barg
1/4"	7	700
1/2"	4	296